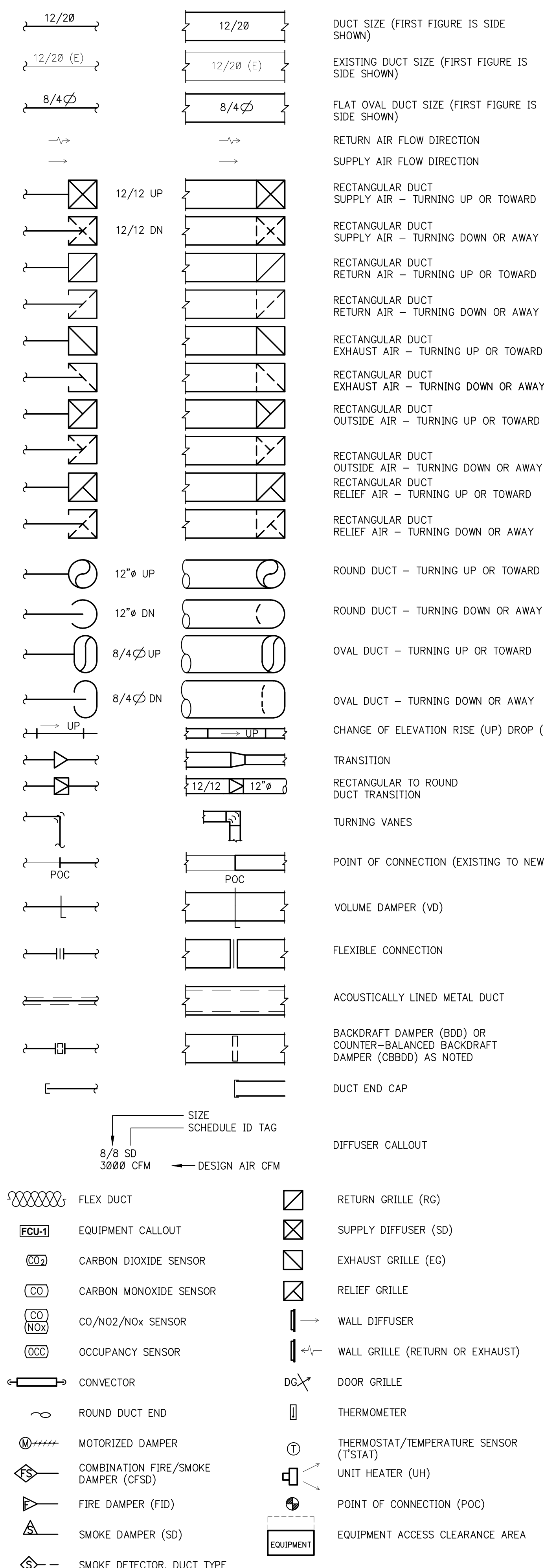


HVAC SYMBOLS

SINGLE LINE DOUBLE LINE



ABBREVIATIONS

Table listing abbreviations for HVAC components such as AFF (Above Finished Floor), BHP (Brake Horsepower), and others.

GENERAL NOTES:

- 1. THIS IS A GENERAL LEGEND SHEET. NOT ALL SYMBOLS SHOWN ARE CONTAINED IN THE PROJECT DRAWINGS.
2. ALL REFERENCES AND CODES NOTED ARE LATEST EDITION, UNO.
3. ALL EQUIPMENT MUST CONFORM TO APPLICABLE BUILDING CODES.

GENERAL MECHANICAL NOTES:

- 1. INSTALL AND SUPPORT ALL DUCTWORK PER SMACNA. CONSTRUCT AND SEAL ALL DUCTWORK AS REQUIRED BY IMC.
2. OUTSIDE AIR (OSA) DUCTWORK SHALL MEET AIR LEAKAGE REQUIREMENTS OF WSEC C402.5 AND ENVELOPE VAPOR CONTROL PER IMC.

C406 ENERGY PACKAGE CREDITS PROVIDED BY HVAC table showing table C406.1 and table C406.2 with credit values.

GRILLES, REGISTERS & DIFFUSERS SCHEDULE table with columns for ID, MFR, MODEL, SIZE, PATTERN, and NOTES.

ROOF HOOD SCHEDULE table with columns for ID, MFR, MODEL, INTAKE/EXHAUST, CFM, THROAT DIA, SP, DAMPER, WEIGHT, and NOTES.

LOUVER SCHEDULE table with columns for ID, MFR, MODEL, SIZE, CFM, VELOCITY, FREE AREA, PRESSURE DROP, and NOTES.

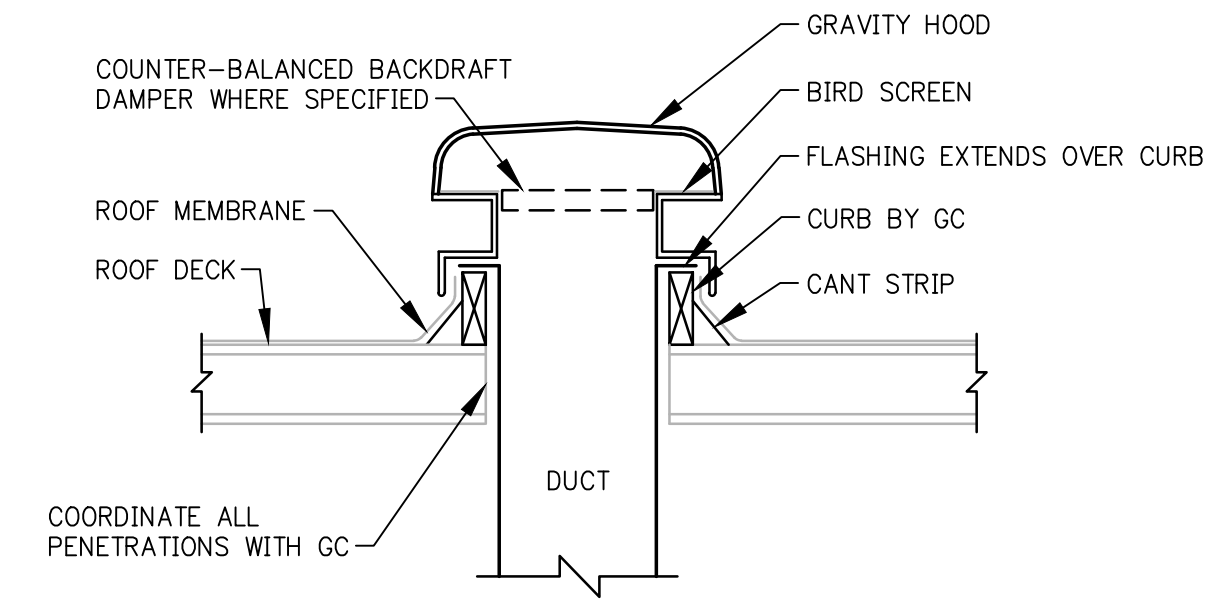
VENTILATION AIR REQUIREMENTS PER INTERNATIONAL MECHANICAL CODE AND WASHINGTON STATE AMENDMENTS table with columns for ROOM, USE CLASS, AREA, ZONE, OUTSIDE AIR, and NOTES.

INDOOR UNIT SCHEDULE table with columns for ID, SERVICE, MFR, MODEL, TYPE, AIRFLOW, RATED COOLING, RATED HEATING, MOTOR EFFICIENCY, OPERATING WEIGHT, and NOTES.

OUTDOOR UNIT SCHEDULE table with columns for ID, SERVICE, MFR, MODEL, RATED COOLING, RATED HEATING, SEER, HSPF, ELECTRICAL CONNECTION, OPERATING WEIGHT, and NOTES.

DEDICATED OUTSIDE AIR SUPPLY (DOAS) SCHEDULE table with columns for ID, SERVICE, MFR, MODEL, TYPE, AIRFLOW, EXTERNAL S.P., OPERATING WATTS, POWER CONNECTION, EFFICIENCY, WEIGHT, and NOTES.

Project information sidebar including Richmond Engineering, LLC logo, Fire Mountain Arts Council contact info, revision table, sheet contents, and project title 'ROXY THEATER ADDITION'.



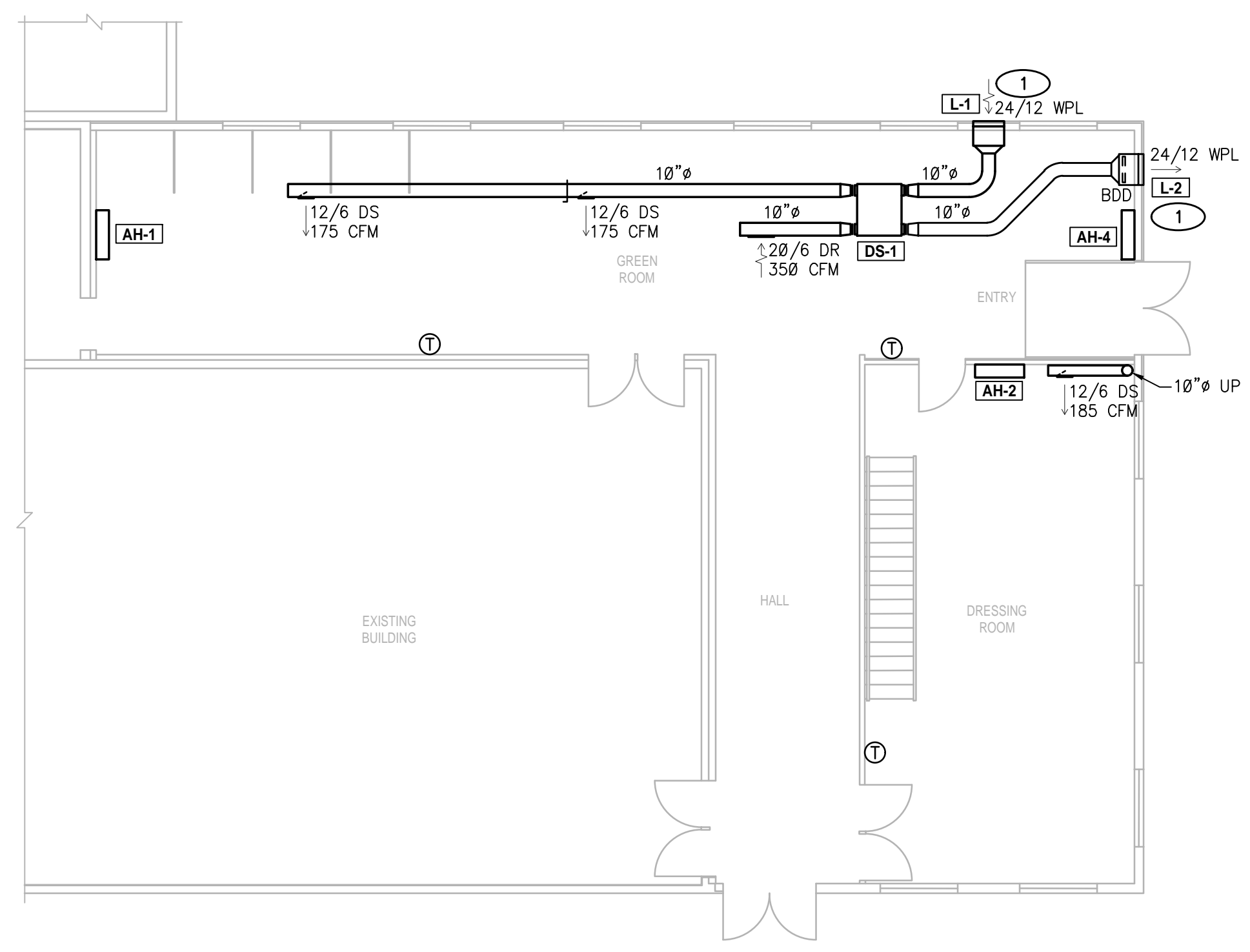
KEY NOTES:

1 PROVIDE 12" DEEP PLENUM, SLOPED TO EXTERIOR, SEALED WATERTIGHT

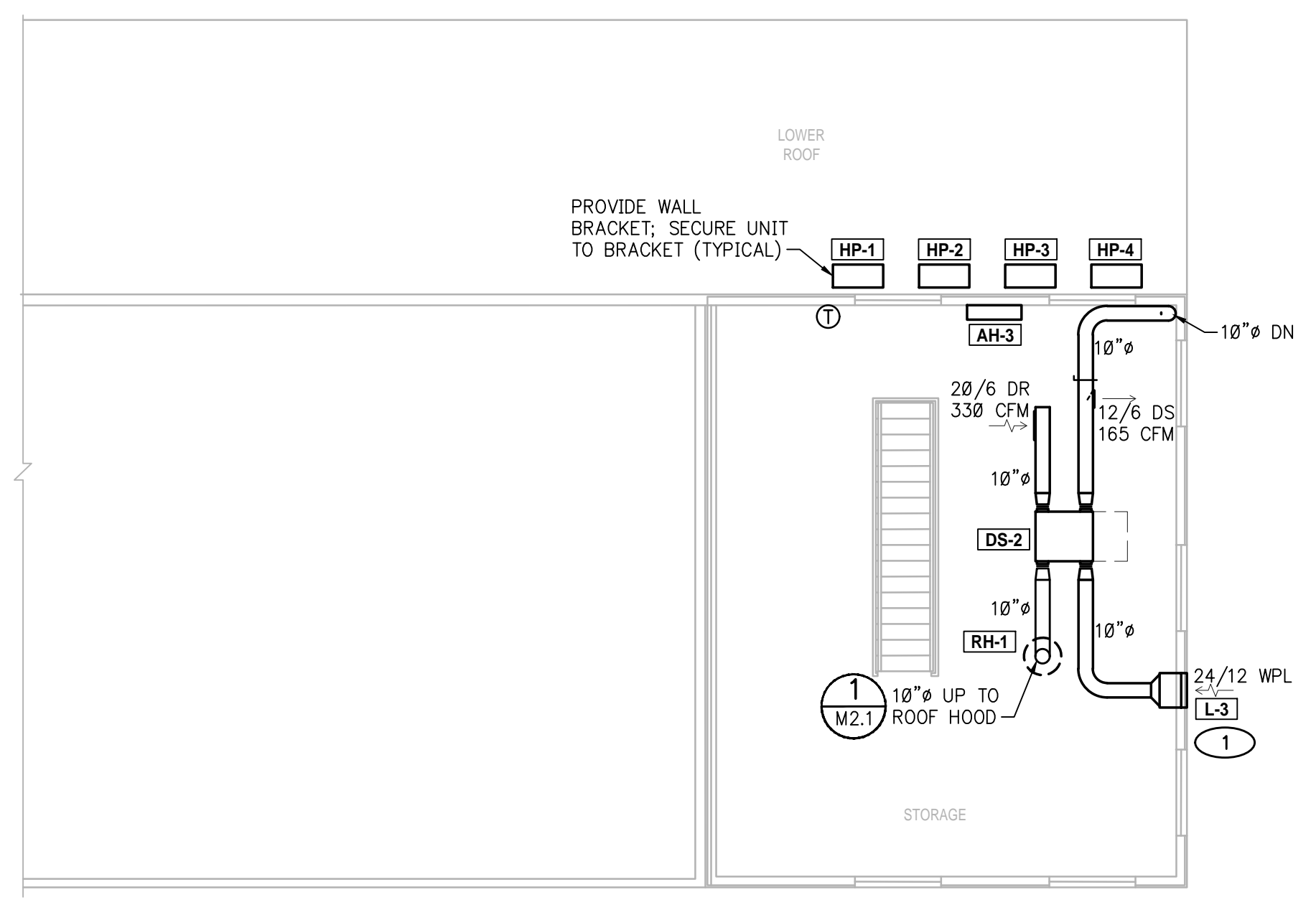
SHEET NOTES:

1. PROVIDE CONDENSATE PIPING TO APPROVED LOCATION

1
M2.1 **ROOF HOOD INSTALLATION**
NOT TO SCALE



FIRST FLOOR PLAN - HVAC
SCALE: 1/8" = 1'-0"



SECOND FLOOR PLAN - HVAC
SCALE: 1/8" = 1'-0"

| | |
|-----------------|--|
| DESIGNED: | GMR |
| DRAWN: | SCS |
| DATE: | 9/29/2022 |
| PREPARED BY: | RICHMOND ENGINEERING, LLC OLYMPIA, WA 98501 WWW.RICHMONDENGINEERING.COM |
| PREPARED FOR: | FIRE MOUNTAIN ARTS COUNCIL 233 W. Main St. PO Box 781 Morton, WA 98356 (360) 496-0541 |
| | |
| REVISION | |
| BY | CK'D |
| DATE | |
| SHEET CONTENTS: | FLOOR PLAN - HVAC |
| TITLE: | ROXY THEATER ADDITION 233 W MAIN AVE MORTON, WA 98356 |
| PROJECT NO.: | 5861 |
| SHEET: | M2.1 |